

# 2021 IRC Deck Requirements

Things needed to file permit application:

- 1) Site survey with zoning approval.
- 2) Completed, Signed Building application.
- 3) 2-sets of drawings signed by homeowner or Architect.

Required Inspections:

- 1) Footing
- 2) Framing
- 3) Final

Please note the true cost of construction must be on application as per:

U.C.C. 5:23-2.15(a)4 The estimated cost of work for which a permit is sought, including but not limited to building construction, onsite construction, and all integral equipment, built in furnishings and finishes. Where any material or labor proposed for installation in the building or structure is furnished or provided at no cost, its normal or usual cost shall be included in the estimate cost.



FLOORS

2. Footings shall not be required for free-standing decks that meet all of the following criteria:
  - 2.1. The joists bear directly on *precast concrete* pier blocks at grade without support by beams or posts.
  - 2.2. The area of the deck does not exceed 200 square feet (18.6 m<sup>2</sup>).
  - 2.3. The walking surface is not more than 20 inches (508 mm) above grade at any point within 36 inches (914 mm) measured horizontally from the edge.

**R507.3.1 Minimum size.** The minimum size of concrete footings shall be in accordance with Table R507.3.1, based on the tributary area and allowable soil-bearing pressure in accordance with Table R401.4.1.

**R507.3.2 Minimum depth.** Deck footings shall be placed not less than 12 inches (305 mm) below the undisturbed ground surface.

**R507.3.3 Frost protection.** Where decks are attached to a frost-protected structure, deck footings shall be protected from frost by one or more of the following methods:

1. Extending below the frost line specified in Table R301.2.
2. Erecting on solid rock.
3. Other *approved* methods of frost protection.

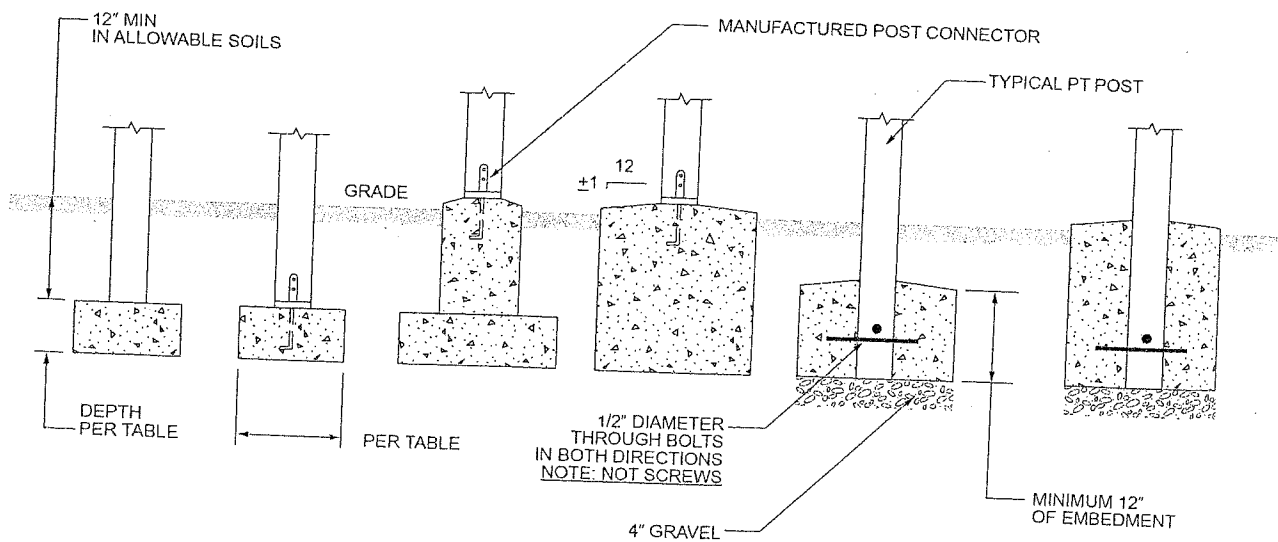
**R507.4 Deck posts.** For single-level decks, wood post size shall be in accordance with Table R507.4.

TABLE R507.2.3  
FASTENER AND CONNECTOR SPECIFICATIONS FOR DECKS<sup>a, b</sup>

ITEM	MATERIAL	MINIMUM FINISH/COATING	ALTERNATE FINISH/COATING <sup>c</sup>
Nails and glulam rivets	In accordance with ASTM F1667	Hot-dipped galvanized per ASTM A153, Class D for 3/8-inch diameter and less	Stainless steel, silicon bronze or copper
Bolts <sup>c</sup>	In accordance with ASTM A307 (bolts), ASTM A563 (nuts), ASTM F844 (washers)	Hot-dipped galvanized per ASTM A153, Class C (Class D for 3/8-inch diameter and less) or mechanically galvanized per ASTM B695, Class 55 or 410 stainless steel	Stainless steel, silicon bronze or copper
Lag screws <sup>d</sup> (including nuts and washers)			
Metal connectors	Per manufacturer's specification	ASTM A653 type G185 zinc-coated galvanized steel or post hot-dipped galvanized per ASTM A123 providing a minimum average coating weight of 2.0 oz./ft <sup>2</sup> (total both sides)	Stainless steel

For SI: 1 inch = 25.4 mm, 1 foot = 304.8 mm.

- a. Equivalent materials, coatings and finishes shall be permitted.
- b. Fasteners and connectors exposed to salt water or located within 300 feet of a salt water shoreline shall be stainless steel.
- c. Holes for bolts shall be drilled a minimum 1/32 inch and a maximum 1/16 inch larger than the bolt.
- d. Lag screws 1/2 inch and larger shall be predrilled to avoid wood splitting per the *National Design Specification (NDS) for Wood Construction*.
- e. Stainless-steel-driven fasteners shall be in accordance with ASTM F1667.



NOTE:  
POSTS MUST BE CENTERED ON OR IN FOOTING

For SI: 1 inch = 25.4 mm.

FIGURE R507.3  
DECK POSTS TO DECK FOOTING CONNECTION

TABLE R507.3.1  
MINIMUM FOOTING SIZE FOR DECKS

LIVE OR GROUND SNOW LOAD <sup>b</sup> (psf)	TRIBUTARY AREA (ft <sup>2</sup> )	LOAD-BEARING VALUE OF SOILS <sup>a, c, d</sup> (psf)								
		1,500 <sup>e</sup>			2,000 <sup>e</sup>			≥ 3,000 <sup>e</sup>		
		Side of a square footing (inches)	Diameter of a round footing (inches)	Thickness (inches) <sup>f</sup>	Side of a square footing (inches)	Diameter of a round footing (inches)	Thickness (inches) <sup>f</sup>	Side of a square footing (inches)	Diameter of a round footing (inches)	Thickness (inches) <sup>f</sup>
40	5	7	8	6	7	8	6	7	8	6
	20	10	12	6	9	9	6	7	8	6
	40	14	16	6	12	14	6	10	12	6
	60	17	19	6	15	17	6	12	14	6
	80	20	22	7	17	19	6	14	16	6
	100	22	25	8	19	21	6	15	17	6
	120	24	27	9	21	23	7	17	19	6
	140	26	29	10	22	25	8	18	21	6
	160	28	31	11	24	27	9	20	22	7
50	5	7	8	6	7	8	6	7	8	6
	20	11	13	6	10	11	6	8	9	6
	40	15	17	6	13	15	6	11	13	6
	60	19	21	6	16	18	6	13	15	6
	80	21	24	8	19	21	6	15	17	6
	100	24	27	9	21	23	7	17	19	6
	120	26	30	10	23	26	8	19	21	6
	140	28	32	11	25	28	9	20	23	7
	160	30	34	12	26	30	10	21	24	8
60	5	7	8	6	7	8	6	7	8	6
	20	12	14	6	11	12	6	9	10	6
	40	16	19	6	14	16	8	12	14	6
	60	20	23	7	17	20	6	14	16	6
	80	23	26	9	20	23	7	16	19	6
	100	26	29	10	22	25	8	18	21	6
	120	28	32	11	25	28	9	20	23	7
	140	31	35	12	27	30	10	22	24	8
	160	33	37	13	28	32	11	23	26	9
70	5	7	8	6	7	8	6	7	8	6
	20	12	14	6	11	13	6	9	10	6
	40	18	20	6	15	17	6	12	14	6
	60	21	24	8	19	21	6	15	17	6
	80	25	28	9	21	24	8	18	20	6
	100	28	31	11	24	27	9	20	22	7
	120	30	34	12	26	30	10	21	24	8
	140	33	37	13	28	32	11	23	26	9
	160	35	40	15	30	34	12	25	28	9

For SI: 1 inch = 25.4 mm, 1 square foot = 0.0929 m<sup>2</sup>, 1 pound per square foot = 0.0479 kPa.

- a. Interpolation permitted, extrapolation not permitted.
- b. Based on highest load case: Dead + Live or Dead + Snow.
- c. Footing dimensions shall allow complete bearing of the post.
- d. If the support is a brick or CMU pier, the footing shall have a minimum 2-inch projection on all sides.
- e. Area, in square feet, of deck surface supported by post and footings.
- f. Minimum thickness shall only apply to plain concrete footings.

TABLE R507.4  
DECK POST HEIGHT

LOADS (psf) <sup>a</sup>	POST SPECIES <sup>c</sup>	POST SIZE <sup>d</sup>	TRIBUTARY AREA (ft) <sup>2</sup> <sup>e</sup>									
			20	40	60	80	100	120	140	160		
			MAXIMUM DECK POST HEIGHT <sup>g</sup> (feet-inches)									
40 live load	Southern pine	4 x 4	14-0	13-8	11-0	9-5	8-4	7-5	6-9	6-2		
		4 x 6	14-0	14-0	13-11	12-0	10-8	9-8	8-10	8-2		
		6 x 6	14-0	14-0	14-0	14-0	14-0	14-0	14-0	14-0	14-0	
		8 x 8	14-0	14-0	14-0	14-0	14-0	14-0	14-0	14-0	14-0	
		4 x 4	14-0	13-6	10-10	9-3	8-0	7-0	6-2	5-3		
		4 x 6	14-0	14-0	13-10	11-10	10-6	9-5	8-7	7-10		
		6 x 6	14-0	14-0	14-0	14-0	14-0	14-0	14-0	14-0		
		8 x 8	14-0	14-0	14-0	14-0	14-0	14-0	14-0	14-0		
	Douglas fir <sup>e</sup> Hem-fir <sup>e</sup> Spruce-pine-fir <sup>e</sup>	4 x 4	14-0	13-2	10-3	8-1	5-8	NP	NP	NP		
		4 x 6	14-0	14-0	13-6	11-4	9-9	8-4	6-9	4-7		
		6 x 6	14-0	14-0	14-0	14-0	14-0	14-0	14-0	14-0		
		8 x 8	14-0	14-0	14-0	14-0	14-0	14-0	14-0	14-0		
		4 x 4	14-0	14-0	13-2	10-3	8-1	5-8	NP	NP		
		4 x 6	14-0	14-0	13-6	11-4	9-9	8-4	6-9	4-7		
		6 x 6	14-0	14-0	14-0	14-0	14-0	14-0	14-0	14-0		
		8 x 8	14-0	14-0	14-0	14-0	14-0	14-0	14-0	14-0		
	50 ground snow load	Southern pine	4 x 4	14-0	12-2	9-10	8-5	7-5	6-7	5-11	5-4	
			4 x 6	14-0	14-0	12-6	10-9	9-6	8-7	7-10	7-3	
			6 x 6	14-0	14-0	14-0	14-0	14-0	14-0	14-0	13-4	
			8 x 8	14-0	14-0	14-0	14-0	14-0	14-0	14-0	14-0	
			4 x 4	14-0	12-1	9-8	8-2	7-1	6-2	5-3	4-2	
			4 x 6	14-0	14-0	12-4	10-7	9-4	8-4	7-7	6-11	
			6 x 6	14-0	14-0	14-0	14-0	14-0	14-0	14-0	12-10	
			8 x 8	14-0	14-0	14-0	14-0	14-0	14-0	14-0	14-0	
Douglas fir <sup>e</sup> Hem-fir <sup>e</sup> Spruce-pine-fir <sup>e</sup>		4 x 4	14-0	11-8	9-0	6-10	3-7	NP	NP	NP		
		4 x 6	14-0	14-0	12-0	10-0	8-6	7-0	5-3	NP		
		6 x 6	14-0	14-0	14-0	14-0	14-0	14-0	10-8	2-4		
		8 x 8	14-0	14-0	14-0	14-0	14-0	14-0	14-0	14-0		
		4 x 4	14-0	11-1	8-11	7-7	6-7	5-10	5-2	4-6		
		4 x 6	14-0	14-0	11-4	9-9	8-7	7-9	7-1	6-6		
		6 x 6	14-0	14-0	14-0	14-0	14-0	14-0	12-9	11-2		
		8 x 8	14-0	14-0	14-0	14-0	14-0	14-0	14-0	14-0		
60 ground snow load	Southern pine	4 x 4	14-0	10-11	8-8	7-3	6-2	5-0	3-7	NP		
		4 x 6	14-0	13-11	11-2	9-7	8-4	7-5	6-8	5-11		
		6 x 6	14-0	14-0	14-0	14-0	14-0	14-0	12-2	10-2		
		8 x 8	14-0	14-0	14-0	14-0	14-0	14-0	14-0	14-0		
		4 x 4	14-0	10-11	8-8	7-3	6-2	5-0	3-7	NP		
		4 x 6	14-0	13-11	11-2	9-7	8-4	7-5	6-8	5-11		
		6 x 6	14-0	14-0	14-0	14-0	14-0	14-0	12-2	10-2		
		8 x 8	14-0	14-0	14-0	14-0	14-0	14-0	14-0	14-0		
	Douglas fir <sup>e</sup> Hem-fir <sup>e</sup> Spruce-pine-fir <sup>e</sup>	4 x 4	14-0	10-6	7-9	4-7	NP	NP	NP	NP		
		4 x 6	14-0	13-7	10-9	8-9	7-0	4-9	NP	NP		
		6 x 6	14-0	14-0	14-0	14-0	14-0	9-9	NP	NP		
		8 x 8	14-0	14-0	14-0	14-0	14-0	14-0	14-0			
		4 x 4	14-0	10-6	7-9	4-7	NP	NP	NP	NP		
		4 x 6	14-0	13-7	10-9	8-9	7-0	4-9	NP	NP		
		6 x 6	14-0	14-0	14-0	14-0	14-0	9-9	NP	NP		
		8 x 8	14-0	14-0	14-0	14-0	14-0	14-0	14-0			

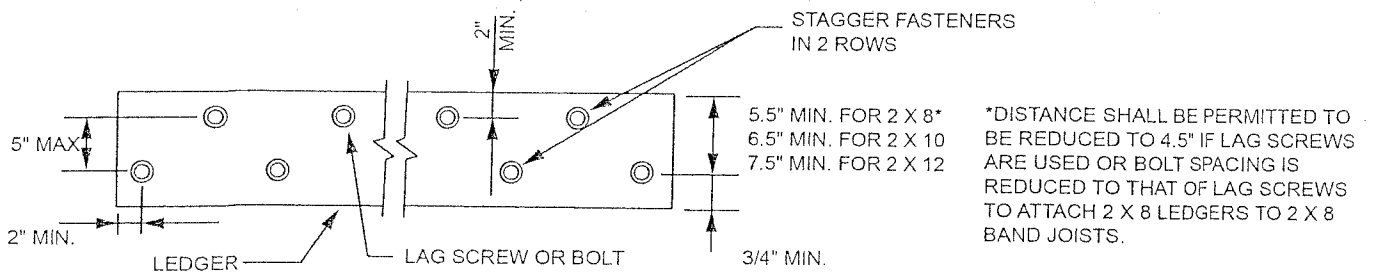
(continued)

**TABLE R507.9.1.3(2)**  
**PLACEMENT OF LAG SCREWS AND BOLTS IN DECK LEDGERS AND BAND JOISTS**

MINIMUM END AND EDGE DISTANCES AND SPACING BETWEEN ROWS				
	TOP EDGE	BOTTOM EDGE	ENDS	ROW SPACING
Ledger <sup>a</sup>	2 inches <sup>d</sup>	<sup>3</sup> / <sub>4</sub> inch	2 inches <sup>b</sup>	1 <sup>5</sup> / <sub>8</sub> inches <sup>b</sup>
Band Joist <sup>c</sup>	<sup>3</sup> / <sub>4</sub> inch	2 inches	2 inches <sup>b</sup>	1 <sup>5</sup> / <sub>8</sub> inches <sup>b</sup>

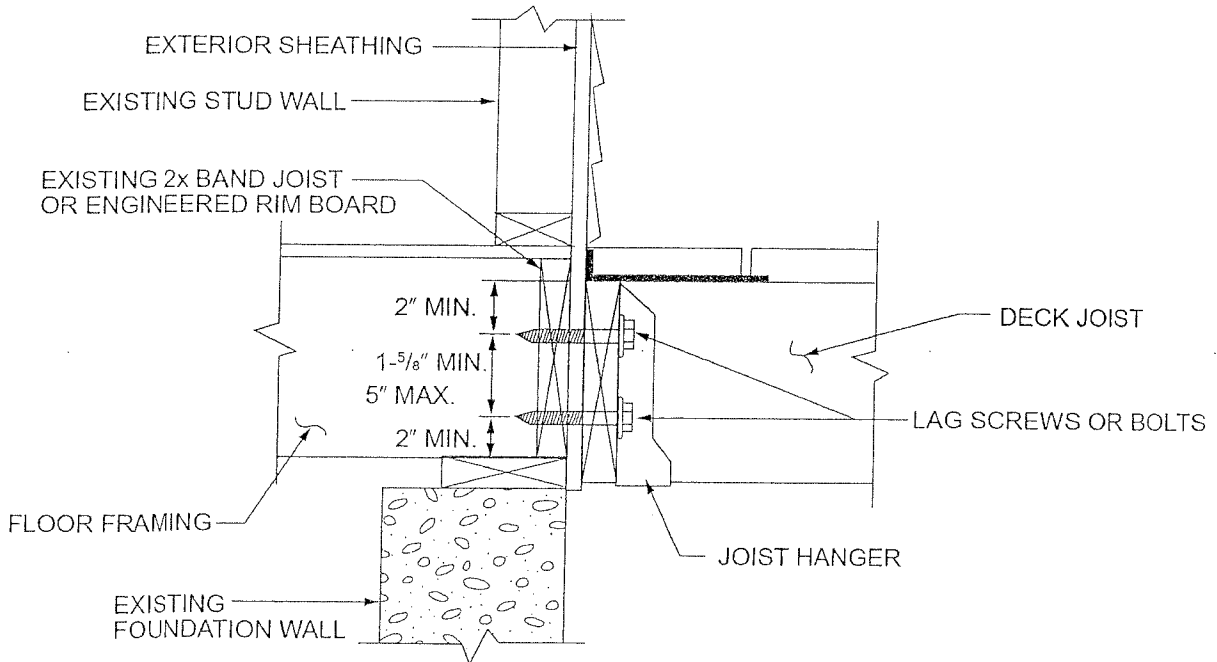
For SI: 1 inch = 25.4 mm.

- a. Lag screws or bolts shall be staggered from the top to the bottom along the horizontal run of the deck ledger in accordance with Figure R507.9.1.3(1).
- b. Maximum 5 inches.
- c. For engineered rim joists, the manufacturer's recommendations shall govern.
- d. The minimum distance from bottom row of lag screws or bolts to the top edge of the ledger shall be in accordance with Figure R507.9.1.3(1).



For SI: 1 inch = 25.4 mm.

**FIGURE R507.9.1.3(1)**  
**PLACEMENT OF LAG SCREWS AND BOLTS IN LEDGERS**



For SI: 1 inch = 25.4 mm.

**FIGURE R507.9.1.3(2)**  
**PLACEMENT OF LAG SCREWS AND BOLTS IN BAND JOISTS**

TABLE R507.5(1)  
MAXIMUM DECK BEAM SPAN—40 PSF LIVE LOAD<sup>c</sup>

BEAM SPECIES <sup>d</sup>	BEAM SIZE <sup>e</sup>	EFFECTIVE DECK JOIST SPAN LENGTH <sup>a,i,j</sup> (feet)						
		6	8	10	12	14	16	18
Southern pine	1-2 x 6	4-7	4-0	3-7	3-3	3-0	2-10	2-8
	1-2 x 8	5-11	5-1	4-7	4-2	3-10	3-7	3-5
	1-2 x 10	7-0	6-0	5-5	4-11	4-7	4-3	4-0
	1-2 x 12	8-3	7-1	6-4	5-10	5-5	5-0	4-9
	2-2 x 6	6-11	5-11	5-4	4-10	4-6	4-3	4-0
	2-2 x 8	8-9	7-7	6-9	6-2	5-9	5-4	5-0
	2-2 x 10	10-4	9-0	8-0	7-4	6-9	6-4	6-0
	2-2 x 12	12-2	10-7	9-5	8-7	8-0	7-5	7-0
	3-2 x 6	8-6	7-5	6-8	6-1	5-8	5-3	4-11
	3-2 x 8	10-11	9-6	8-6	7-9	7-2	6-8	6-4
	3-2 x 10	13-0	11-2	10-0	9-2	8-6	7-11	7-6
	3-2 x 12	15-3	13-3	11-10	10-9	10-0	9-4	8-10
Douglas fir-larch <sup>g</sup> Hem-fir <sup>g</sup> Spruce-pine-fir	1-2 x 6	4-1	3-6	3-0	2-8	2-5	2-3	2-1
	1-2 x 8	5-6	4-8	4-0	3-6	3-2	2-11	2-9
	1-2 x 10	6-8	5-10	5-1	4-6	4-1	3-9	3-6
	1-2 x 12	7-9	6-9	6-0	5-6	5-0	3-9	3-6
	2-2 x 6	6-1	5-3	4-9	4-4	3-11	3-7	3-3
	2-2 x 8	8-2	7-1	6-4	5-9	5-2	4-8	4-4
	2-2 x 10	10-0	8-7	7-9	7-0	6-6	6-0	5-6
	2-2 x 12	11-7	10-0	8-11	8-2	7-7	7-1	6-8
	3-2 x 6	7-8	6-8	6-0	5-6	5-1	4-9	4-6
	3-2 x 8	10-3	8-10	7-11	7-3	6-8	6-3	5-11
	3-2 x 10	12-6	10-10	9-8	8-10	8-2	7-8	7-2
	3-2 x 12	14-6	12-7	11-3	10-3	9-6	8-11	8-5
Redwood <sup>h</sup> Western cedars <sup>h</sup> Ponderosa pine <sup>h</sup> Red pine <sup>h</sup>	1-2 x 6	4-2	3-7	3-1	2-9	2-6	2-3	2-2
	1-2 x 8	5-4	4-7	4-1	3-7	3-3	3-0	2-10
	1-2 x 10	6-6	5-7	5-0	4-7	4-2	3-10	3-7
	1-2 x 12	7-6	6-6	5-10	5-4	4-11	4-7	4-4
	2-2 x 6	6-2	5-4	4-10	4-5	4-0	3-8	3-4
	2-2 x 8	7-10	6-10	6-1	5-7	5-2	4-10	4-5
	2-2 x 10	9-7	8-4	7-5	6-9	6-3	5-10	5-6
	2-2 x 12	11-1	9-8	8-7	7-10	7-3	6-10	6-5
	3-2 x 6	7-8	6-9	6-0	5-6	5-1	4-9	4-6
	3-2 x 8	9-10	8-6	7-7	6-11	6-5	6-0	5-8
	3-2 x 10	12-0	10-5	9-4	8-6	7-10	7-4	6-11
	3-2 x 12	13-11	12-1	10-9	9-10	9-1	8-6	8-1

For SI: 1 inch = 25.4 mm, 1 foot = 304.8 mm, 1 pound per square foot = 0.0479 kPa, 1 pound = 0.454 kg.

- a. Interpolation permitted. Extrapolation not permitted.
- b. Beams supporting a single span of joists with or without cantilever.
- c. Dead load = 10 psf,  $L/\Delta = 360$  at main span,  $L/\Delta = 180$  at cantilever. Snow load is not assumed to be concurrent with live load.
- d. No. 2 grade, wet service factor included.
- e. Beam depth shall be equal to or greater than the depth of intersecting joist for a flush beam connection.
- f. Beam cantilevers are limited to the adjacent beam's span divided by 4.
- g. Includes incising factor.
- h. Incising factor not included.
- i. Deck joist span as shown in Figure R507.5.
- j. For calculation of effective deck joist span, the actual joist span length shall be multiplied by the joist span factor in accordance with Table R507.5(5).

FLOORS

TABLE R507.6  
MAXIMUM DECK JOIST SPANS

LOAD <sup>a</sup> (psf)	JOIST SPECIES <sup>b</sup>	JOIST SIZE	ALLOWABLE JOIST SPAN <sup>b, c</sup> (feet-inches)			MAXIMUM CANTILEVER <sup>d, f</sup> (feet-inches)							
			Joist spacing (inches)			Joist back span <sup>g</sup> (feet)							
			12	16	24	4	6	8	10	12	14	16	18
40 live load	Southern pine	2 x 6	9-11	9-0	7-7	1-0	1-6	1-5	NP	NP	NP	NP	NP
		2 x 8	13-1	11-10	9-8	1-0	1-6	2-0	2-6	2-3	NP	NP	NP
		2 x 10	16-2	14-0	11-5	1-0	1-6	2-0	2-6	3-0	3-4	3-4	NP
		2 x 12	18-0	16-6	13-6	1-0	1-6	2-0	2-6	3-0	3-6	4-0	4-1
	Douglas fir-larch <sup>e</sup> Hem-fir <sup>e</sup> Spruce-pine-fir <sup>e</sup>	2 x 6	9-6	8-4	6-10	1-0	1-6	1-4	NP	NP	NP	NP	NP
		2 x 8	12-6	11-1	9-1	1-0	1-6	2-0	2-3	2-0	NP	NP	NP
		2 x 10	15-8	13-7	11-1	1-0	1-6	2-0	2-6	3-0	3-3	NP	NP
		2 x 12	18-0	15-9	12-10	1-0	1-6	2-0	2-6	3-0	3-6	3-11	3-11
	Redwood <sup>f</sup> Western cedars <sup>f</sup> Ponderosa pine <sup>f</sup> Red pine <sup>f</sup>	2 x 6	8-10	8-0	6-10	1-0	1-4	1-1	NP	NP	NP	NP	NP
		2 x 8	11-8	10-7	8-8	1-0	1-6	2-0	1-11	NP	NP	NP	NP
		2 x 10	14-11	13-0	10-7	1-0	1-6	2-0	2-6	3-0	2-9	NP	NP
		2 x 12	17-5	15-1	12-4	1-0	1-6	2-0	2-6	3-0	3-6	3-8	NP
50 ground snow load	Southern pine	2 x 6	9-2	8-4	7-4	1-0	1-6	1-5	NP	NP	NP	NP	NP
		2 x 8	12-1	11-0	9-5	1-0	1-6	2-0	2-5	2-3	NP	NP	NP
		2 x 10	15-5	13-9	11-3	1-0	1-6	2-0	2-6	3-0	3-1	NP	NP
		2 x 12	18-0	16-2	13-2	1-0	1-6	2-0	2-6	3-0	3-6	3-10	3-10
	Douglas fir-larch <sup>e</sup> Hem-fir <sup>e</sup> Spruce-pine-fir <sup>e</sup>	2 x 6	8-10	8-0	6-8	1-0	1-6	1-4	NP	NP	NP	NP	NP
		2 x 8	11-7	10-7	8-11	1-0	1-6	2-0	2-3	NP	NP	NP	NP
		2 x 10	14-10	13-3	10-10	1-0	1-6	2-0	2-6	3-0	3-0	NP	NP
		2 x 12	17-9	15-5	12-7	1-0	1-6	2-0	2-6	3-0	3-6	3-8	NP
	Redwood <sup>f</sup> Western cedars <sup>f</sup> Ponderosa pine <sup>f</sup> Red pine <sup>f</sup>	2 x 6	8-3	7-6	6-6	1-0	1-4	1-1	NP	NP	NP	NP	NP
		2 x 8	10-10	9-10	8-6	1-0	1-6	2-0	1-11	NP	NP	NP	NP
		2 x 10	13-10	12-7	10-5	1-0	1-6	2-0	2-6	2-9	NP	NP	NP
		2 x 12	16-10	14-9	12-1	1-0	1-6	2-0	2-6	3-0	3-5	3-5	NP
60 ground snow load	Southern pine	2 x 6	8-8	7-10	6-10	1-0	1-6	1-5	NP	NP	NP	NP	NP
		2 x 8	11-5	10-4	8-9	1-0	1-6	2-0	2-4	NP	NP	NP	NP
		2 x 10	14-7	12-9	10-5	1-0	1-6	2-0	2-6	2-11	2-11	NP	NP
		2 x 12	17-3	15-0	12-3	1-0	1-6	2-0	2-6	3-0	3-6	3-7	NP
	Douglas fir-larch <sup>e</sup> Hem-fir <sup>e</sup> Spruce-pine-fir <sup>e</sup>	2 x 6	8-4	7-6	6-2	1-0	1-6	1-4	NP	NP	NP	NP	NP
		2 x 8	10-11	9-11	8-3	1-0	1-6	2-0	2-2	NP	NP	NP	NP
		2 x 10	13-11	12-4	10-0	1-0	1-6	2-0	2-6	2-10	NP	NP	NP
		2 x 12	16-6	14-3	11-8	1-0	1-6	2-0	2-6	3-0	3-5	3-5	NP
	Redwood <sup>f</sup> Western cedars <sup>f</sup> Ponderosa pine <sup>f</sup> Red pine <sup>f</sup>	2 x 6	7-9	7-0	6-2	1-0	1-4	NP	NP	NP	NP	NP	NP
		2 x 8	10-2	9-3	7-11	1-0	1-6	2-0	1-11	NP	NP	NP	NP
		2 x 10	13-0	11-9	9-7	1-0	1-6	2-0	2-6	2-7	NP	NP	NP
		2 x 12	15-9	13-8	11-2	1-0	1-6	2-0	2-6	3-0	3-2	NP	NP

(continued)



### **Flashing:**

Provide continuous corrosion resistant flashing along the ledger in such a manner as to prevent the passage of moisture into the wall, any untreated wood or siding.

**Exception:** Not required if against vinyl siding, metal siding (provided a shim is used) or masonry. Shims must not crush the siding when bolts are tightened.

### **Guardrails:**

Required on all decks, porches, balconies or raised floors located more than 30" above finished grade.

Top of guardrails must be 36" above decking and have balusters with no more than a 4" spacing between any openings. Guardrails shall not have an ornamental pattern that would provide a ladder effect. Guardrails shall be constructed for a concentrated load of 200 lbs. Applied at any point and direction along the top railing member. The in-fill area of the guard system shall be constructed for a horizontal load of 200 lbs. Applied on a one sq. ft. area at any point.

A stairway with three or more risers is required to have guard-rails on both sides measuring 34" or more in height above the leading edge of the tread. Balusters must have two screws or nails at the top and bottom.

### **Stairways:**

Minimum stairway width is 36"

Maximum riser height is 8 ¼"

Minimum tread is 9". A nosing of ¾" to 1 ¼" is required if the tread width is less than 11".

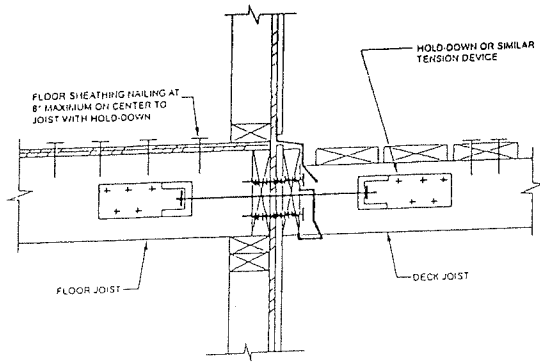
Solid risers or risers permitting no more than a 4" sphere are required.

**Dimensional uniformity:** There shall not be a variation exceeding 3/16" in the depth of adjacent treads or in the height of adjacent risers. The tolerance between the largest and smallest riser or tread shall not exceed 3/8" in any flight of stairs.

**Exception:** Where the bottom riser adjoins a sloping walk or driveway that has an established grade and serves as a landing the variation in height of the bottom riser shall exceed 3 inches in every 3 feet of stairway width.

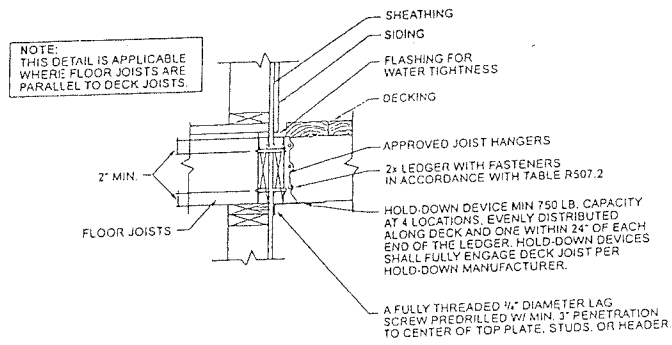
There shall be a floor or landing at the top and bottom of each stairway. The width of each landing shall not be less than the stairway served.

FLOORS



For SI: 1 inch = 25.4 mm

FIGURE 507.2.3(1)  
DECK ATTACHMENT FOR LATERAL LOADS

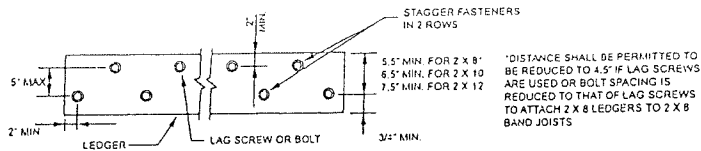


For SI: 1 inch = 25.4 mm, 1 foot = 304.8 mm

FIGURE R507.2.3(2)  
DECK ATTACHMENT FOR LATERAL LOADS

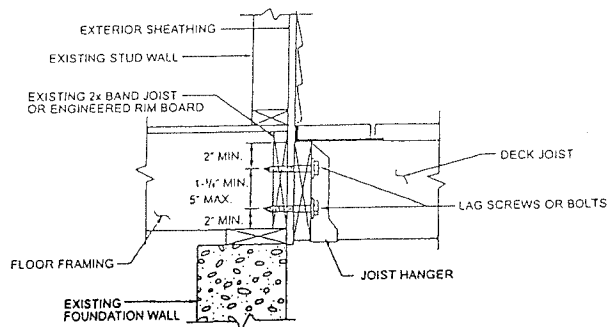
INTERNATIONAL RESIDENTIAL CODE 2015, NEW JERSEY EDITION

FLOORS



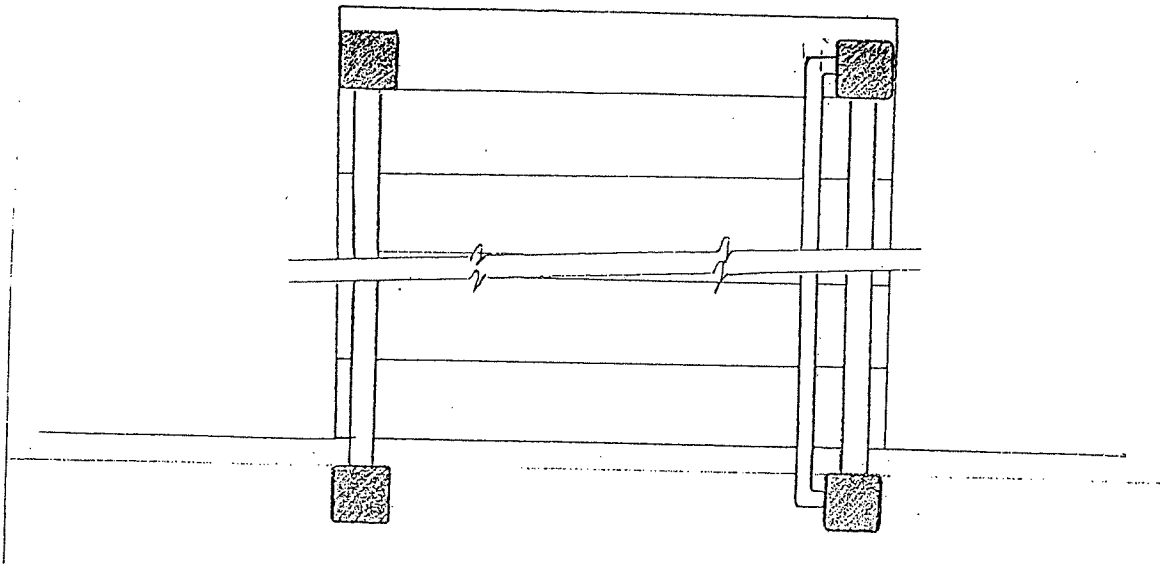
For SI: 1 inch = 25.4 mm

FIGURE R507.2.1(1)  
PLACEMENT OF LAG SCREWS AND BOLTS IN LEDGERS

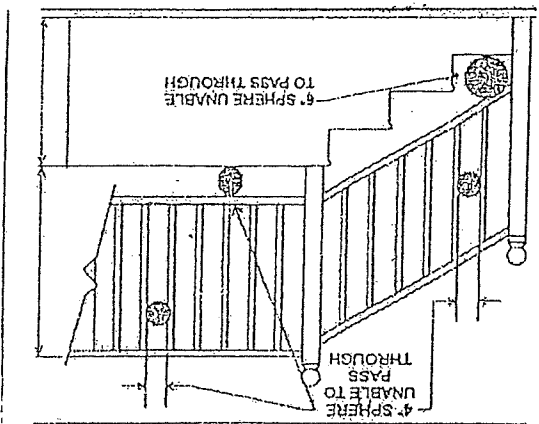


For SI: 1 inch = 25.4 mm

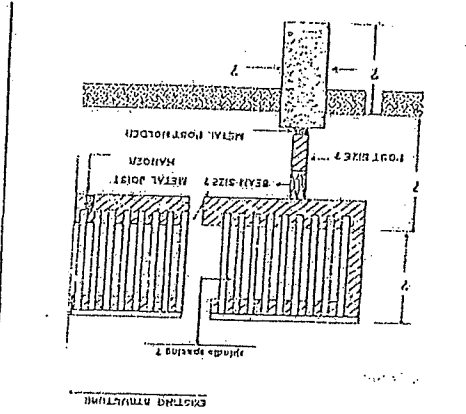
FIGURE R507.2.1(2)  
PLACEMENT OF LAG SCREWS AND BOLTS IN BAND JOISTS



Graspable Handrail Detail

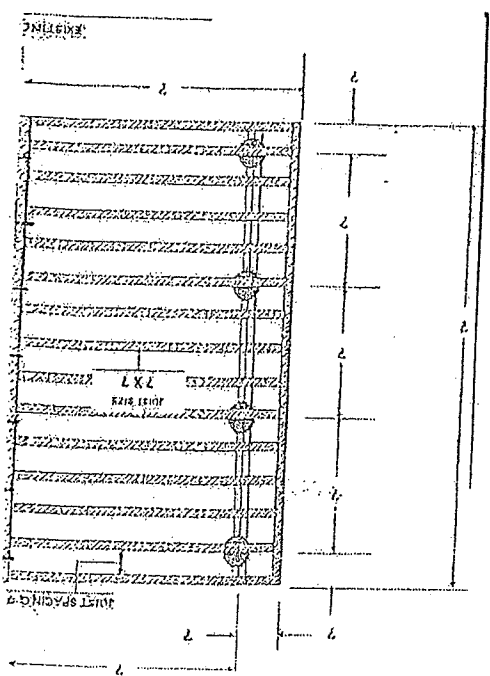


STAIR EXAMPLE:

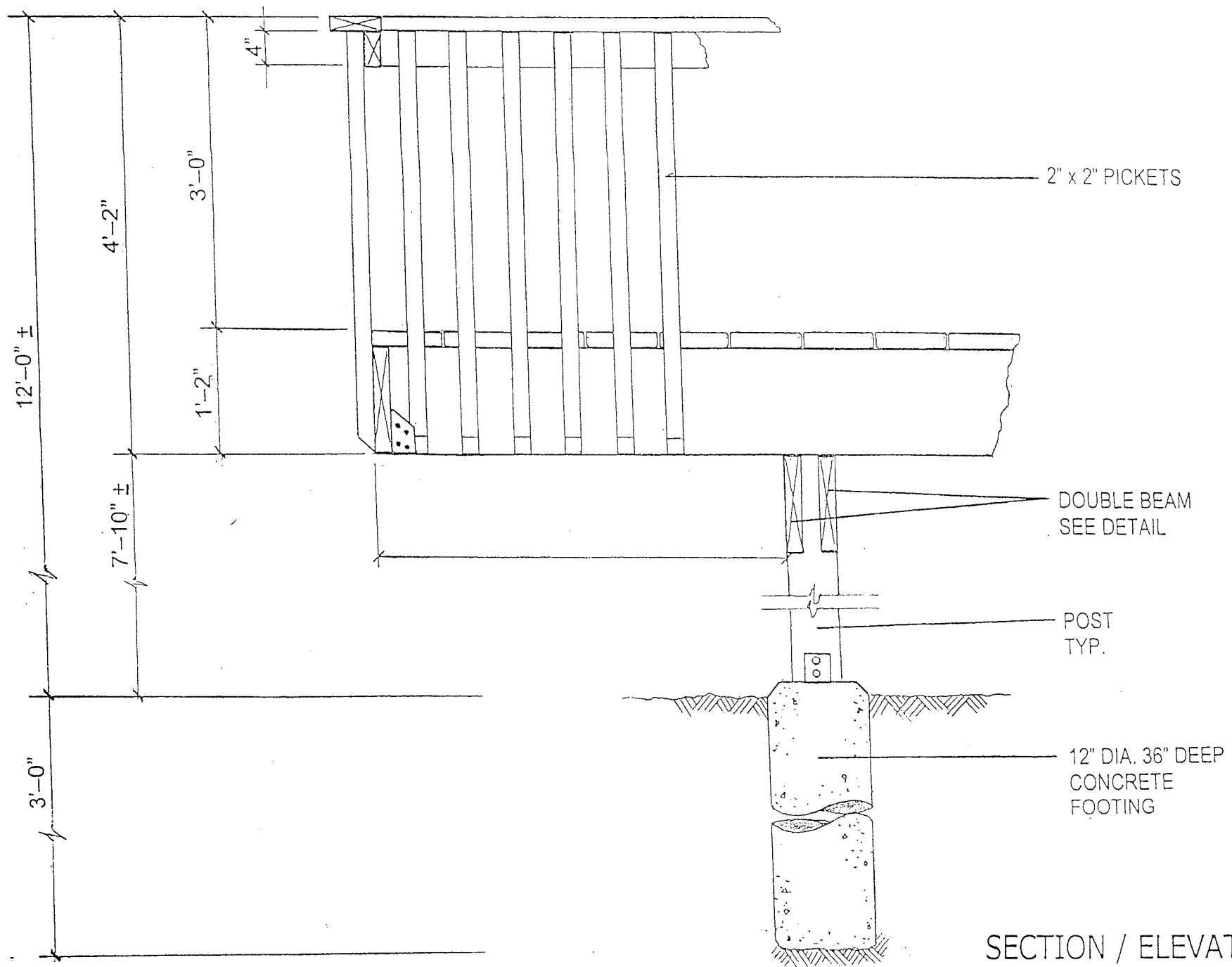


Example #1:

EXAMPLES OF SPINDLES & JOIST SPACING:



Example #2:



SECTION / ELEVATION